

VINTAGE AIR STANDARD ELECTRIC FAN SWITCH KIT - #24190-VUT

THIS FAN TEMPERATURE SWITCH IS OF THE GROUNDING TYPE. DO NOT USE TEFLON TAPE ON THE THREADS (IT WILL PREVENT PROPER GROUNDING). AFTER INSTALLATION CHECK TO MAKE SURE THE BODY OF THE SWITCH IS GROUNDED AS SHOWN IN FIGURE 1.

THE SWITCH WORKS BEST INSTALLED IN THE CYLINDER HEAD, THERMOSTAT HOUSING, INTAKE MANIFOLD OR RADIATOR. HOWEVER IT MAY BE INSTALLED IN ANY 1/4" PIPE OR LARGER THREADED HOLE IN THE COOLING SYSTEM. THE PROBE MUST PROJECT WELL INTO THE ENGINE COOLANT.

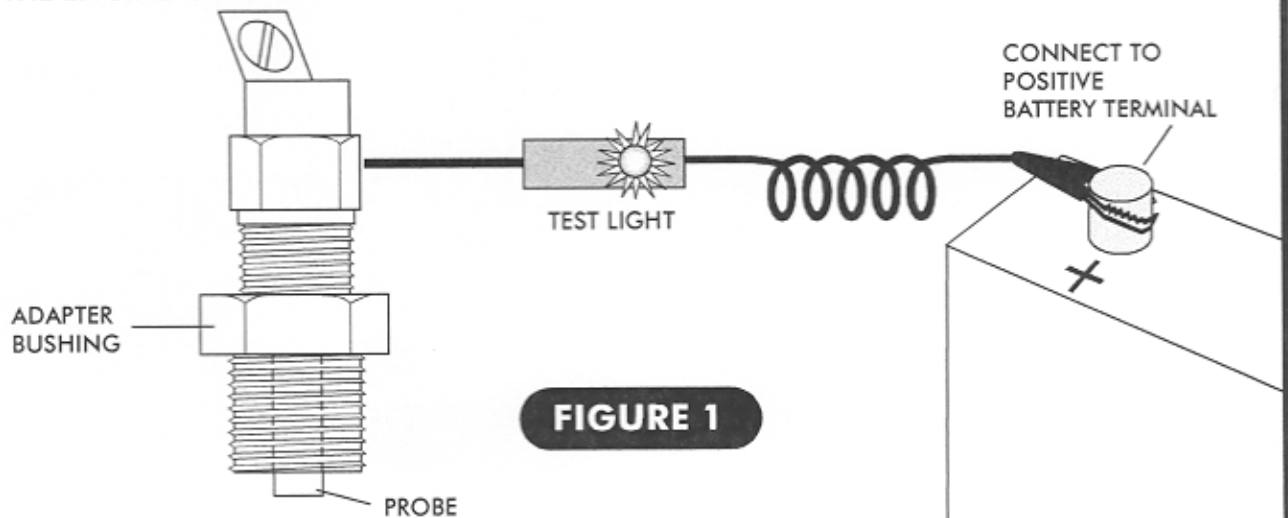


FIGURE 1

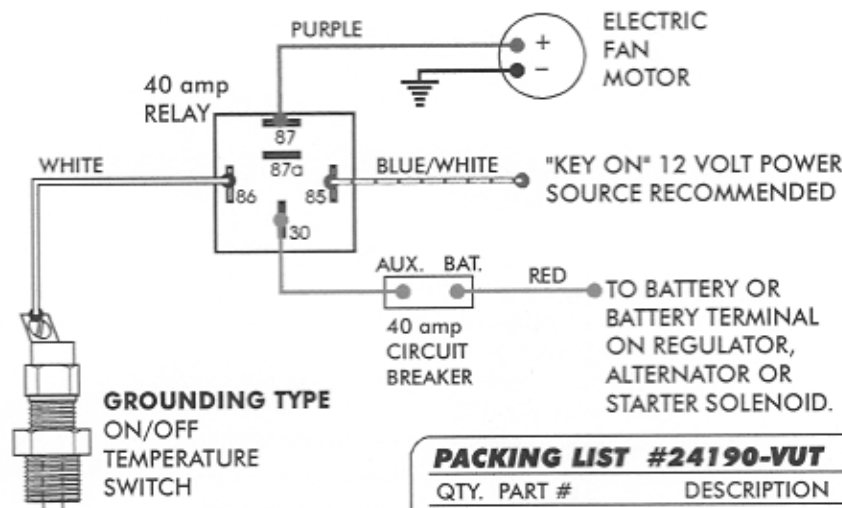


FIGURE 2

PACKING LIST #24190-VUT

QTY.	PART #	DESCRIPTION
1	23235-VUW	WIRING HARNESS
1	34301-VUG	3/8" x 1/4" BUSHING
1	34302-VUG	1/2" x 1/4" BUSHING
1	11190-VUS	THERMOSTAT SWITCH